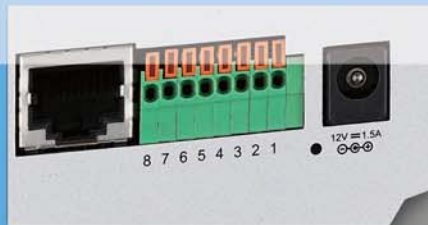


Progressive Scan CCD Network Camera



VIVOTEK IP7151/IP7152, equipped with a progressive scan CCD sensor, delivers superior-quality, crystal-clear video for professional surveillance applications such as monitoring banks, airports, parking lots, and traffic control, etc. It can capture razor-sharp, clear, and high-resolution images of moving objects that traditional interlaced-scan techniques can not achieve. Furthermore, working in combination with the high-performance progressive scan CCD sensor on VIVOTEK IP7151/IP7152 is a removable IR-cut filter that can deliver high-quality images even in infrared illuminated conditions. With self-developed VIVOTEK VVTK-1000 SoC, it simultaneously delivers dual streams for real-time monitoring. It also comes with many useful functionalities that give users more flexibilities such as built-in 802.3af compliant PoE (IP7151), 802.11b/g WLAN connection (IP7152), multi-lingual user interface, high-resolution vari-focal CS mount lens, two-way audio by SIP protocol (*), and digital I/O for external sensor and alarm. VIVOTEK IP7151/IP7152 is definitely your best choice for a high-performance, professional surveillance system.



IP7151/IP7152

Features

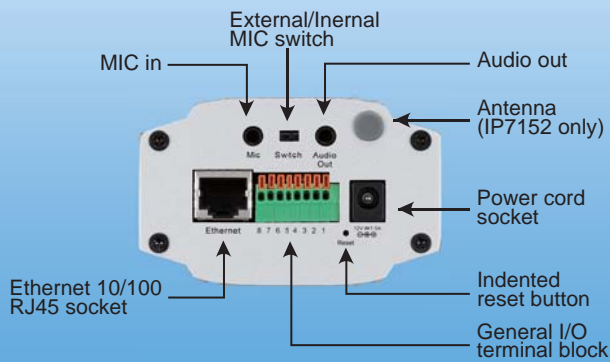
- Progressive Scan CCD Sensor with VGA Resolution
- 2.9mm~8.2mm Vari-focal, Auto-iris Lens
- Removable IR-cut Filter for Day & Night Function
- Real-time MPEG-4 and MJPEG Compression (Dual Codec)
- Supports Dual Streams Simultaneously
- Supports 3GPP Mobile Surveillance
- Built-in 802.3af Compliant Power over Ethernet (PoE) (IP7151)
- Built-in 802.11b/g WLAN (IP7152)
- Supports Two-way Audio by SIP Protocol (*)
- Digital I/O for External Sensor and Alarm
- Free-bundled 16-CH Recording Software

The features with (*) will be available later by firmware upgrade.

Progressive Scan CCD Network Camera

IP7151/IP7152

Rear Panel



Technical Specifications

Models	<ul style="list-style-type: none"> IP7151 (Built-in PoE) IP7152 (Built-in WLAN) 		
System	<ul style="list-style-type: none"> CPU: VVTK-1000 SoC Flash: 8MB RAM: 64MB Embedded OS: Linux 2.4 	Networking	<ul style="list-style-type: none"> 10/100 Mbps Ethernet, RJ-45 Protocols: IPv4, TCP/IP, HTTP, UPnP, RTSP/RTP/RTCP, IGMP, SMTP, FTP, DHCP, NTP, DNS, DDNS, and PPPoE Built-in 802.11b/g WLAN (IP7152)
Lens	<ul style="list-style-type: none"> Lens: CS-mount, f=2.9mm~8.2mm vari-focal, auto-iris IR Corrected Embedded removable IR-cut filter for day & night function 	Alarm and Event Management	<ul style="list-style-type: none"> Triple-window video for motion detection One D/I and one D/O for external sensor and alarm Event notification using HTTP, SMTP, or FTP Local recording of MP4 files
Angle of view	<ul style="list-style-type: none"> 69.0 ° ~ 26.7 ° (horizontal) 51.0 ° ~ 20.0 ° (vertical) 	Security	<ul style="list-style-type: none"> Multi-level user access with password protection IP address filtering Wireless: WEP, WPA-PSK, WPA2 (IP7152)
Shutter Time	<ul style="list-style-type: none"> 1/30 sec. to 1/15000 sec. 	Users	<ul style="list-style-type: none"> Camera live viewing for up to 10 clients
Image Sensor	<ul style="list-style-type: none"> SONY 1/4" progressive scan CCD sensor with VGA resolution 	Dimension (including lens)	<ul style="list-style-type: none"> 205.5mm (D) x 82.1mm (W) x 51.2mm (H)
Video	<ul style="list-style-type: none"> Compression: MJPEG & MPEG-4 Streaming: Simultaneous dual-streaming MPEG-4 streaming over UDP, TCP, or HTTP MPEG-4 multicast streaming MJPEG streaming over HTTP Supports 3GPP mobile surveillance Frame rates: 640x480 up to 30fps 	Weight (including lens)	<ul style="list-style-type: none"> Net: 568g (IP7151) Net: 581g (IP7152)
Image settings	<ul style="list-style-type: none"> Adjustable image size, quality, and bit rate Time stamp and text caption overlay Flip & mirror Configurable brightness, contrast, saturation, and hue AGC, AWB, AES Automatic or manual day/night mode Backlight compensation (BLC) Supports privacy masks 	LED Indicator	<ul style="list-style-type: none"> System power and status indicator System activity and network link indicator
Audio	<ul style="list-style-type: none"> Compression: GSM-AMR speech encoding, bit rate: 4.75 kbps to 12.2 kbps MPEG-4 AAC audio encoding, bit rate: 16 kbps to 128 kbps Interface: Built-in microphone External microphone input Audio output Supports two-way audio by SIP protocol (*) Supports audio mute 	Power	<ul style="list-style-type: none"> 12V DC 802.3af compliant Power over Ethernet (IP7151)
		Approvals	<ul style="list-style-type: none"> CE, FCC, C-Tick, LVD, MIC
		Operating Environments	<ul style="list-style-type: none"> Temperature: 0 ° ~ 40 ° C (32 ° ~ 104 ° F) Humidity: 20 % ~ 80 % RH
		Viewing System Requirements	<ul style="list-style-type: none"> OS: Microsoft Windows 2000/XP/Vista Browser: Internet Explorer 5.x or above Cellphone: 3GPP player Real Player 10.5 or above Quick Time 6.5 or above Packet Video Player 3.0 or above
		Installation, Management, and Maintenance	<ul style="list-style-type: none"> Installation Wizard 2 16-ch recording software Supports firmware upgrade
		Applications	<ul style="list-style-type: none"> SDK available for application development and system integration

All specifications are subject to change without notice.
All other trademarks are owned by their respective companies.